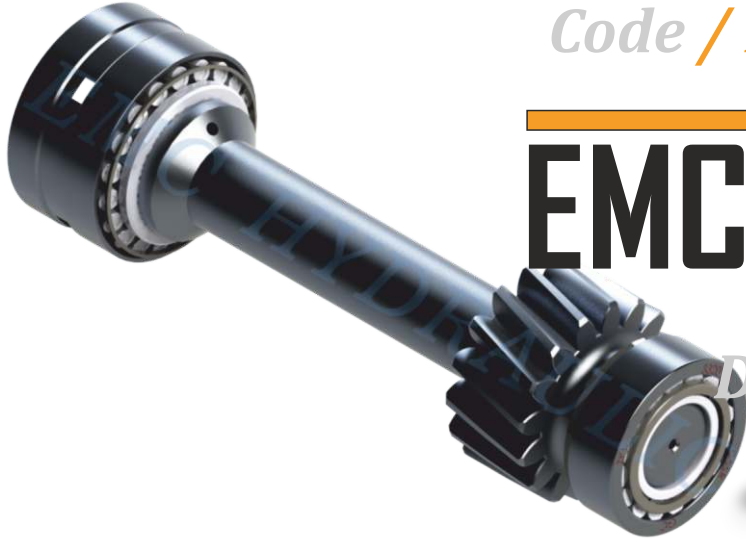


9 S 109 RT (12\*91) Cardan Shaft 288 mm  
9 S 109 RT (12\*91) Kardan Mili 288 mm

Code / Kod : EMC 291 288 1

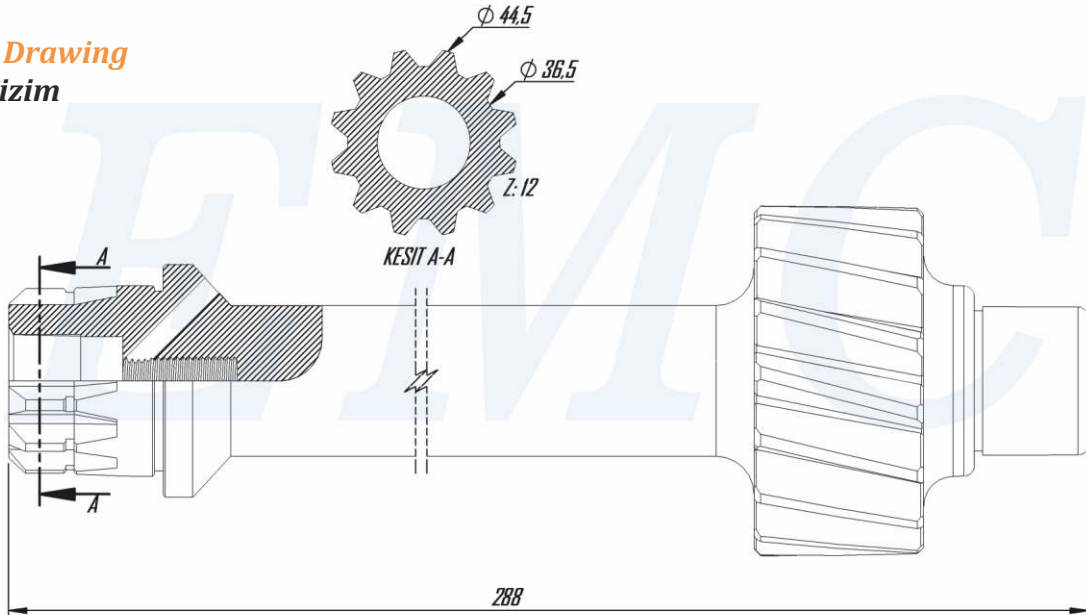


# EMCHYDRAULIC

DECODING / KOD AÇILIMI

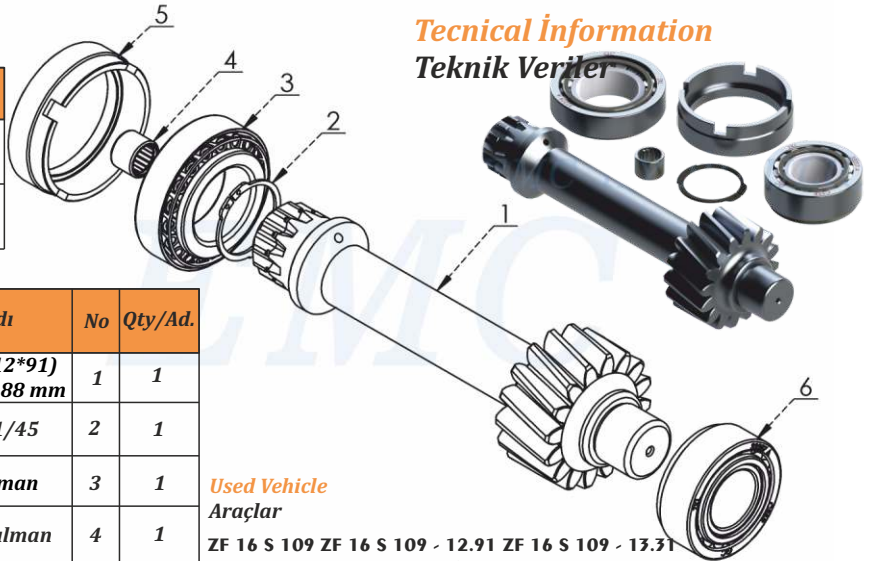
<b>EMC</b>	<b>XXX</b>	<b>XXX</b>	<b>X</b>
<b>Firm Code</b> Firma Kodu	<b>Cardan Type</b> Pto Modeli	<b>Distance</b> Uzunluk	<b>Model</b> Model

**Technical Drawing**  
Teknik Çizim



**Tightening Torque**  
Sıkma Torkları !!!

Diameter / Diş Ölçüsü	M8	M10	M12
Screw and Nuts Torque Somun ve Çivata (Nm)	25	50	80
Studs Torque Saplamalar (Nm)	10	20	30



**Technical Information**  
Teknik Veriler

Code / Kod	Name	Parça Adı	No	Qty/Ad.
EMC.291.288.0	9 S 109 RT (12*91) Cardan Shaft 288 mm	9 S 109 RT (12*91) Kardan Mili 288 mm	1	1
6.71.0.00.045	Circlip 471/45	Sekman 471/45	2	1
8.00.2.013.2009	Bearing 32009	32009 Rulman	3	1
8.00.1.01.616	Bearing Hk 16*16	Hk 16*16 Rulman	4	1
4.22.00.00.053	PTO guiding ring	Aliminyum Canak	5	1
8.00.2.013.3207	Bearing 33207	Rulman 33207	6	1

**Used Vehicle**  
Araçlar

ZF 16 S 109 ZF 16 S 109 - 12.91 ZF 16 S 109 - 13.71  
ZF 16 S 109 + PTO, 16+2 Vites ZF 9 S 1115 / 12.73  
K 184 GA 002 CARDAN SHAFT ZF 16 S 109 DT  
ZF 9 S 109 - 12.91 ZF 9 S 109 - 13.31ZF 9 S 109 DT  
ZF 9 S 1110 - 12.73 K 184 GA 002 KARDAN MİL TAKIMI  
ZF 9 S 1110 + PTO, 9 + 1 Vites ZF 9 S 1110 TD

**NOTE :** The rotation of the pump has to be pposite with the rotation of PTO **NOT :** Pompanın yönü ile PTO nun dönüş yönü ters olmalıdır.

[www.emchydraulic.com](http://www.emchydraulic.com)

EMCHYDRAULIC