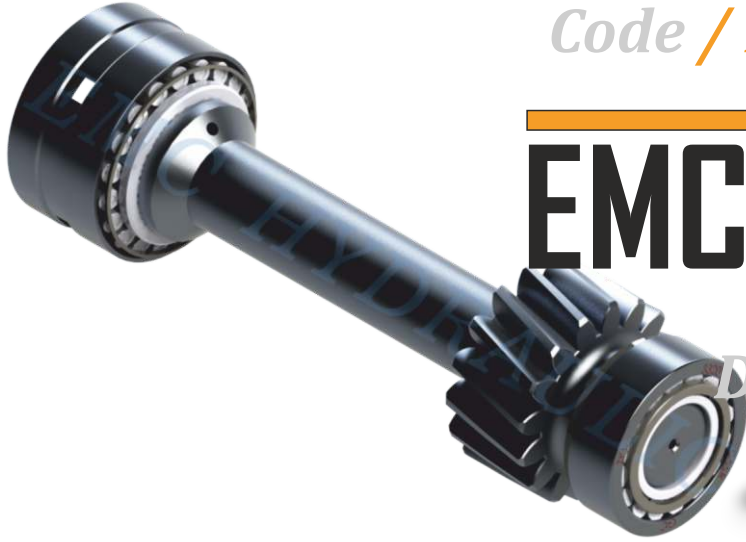


9 S 109 RT (12*92) Cardan Shaft 288 mm
9 S 109 RT (12*92) Kardan Mili 288 mm

Code / Kod : EMC 292 288 1

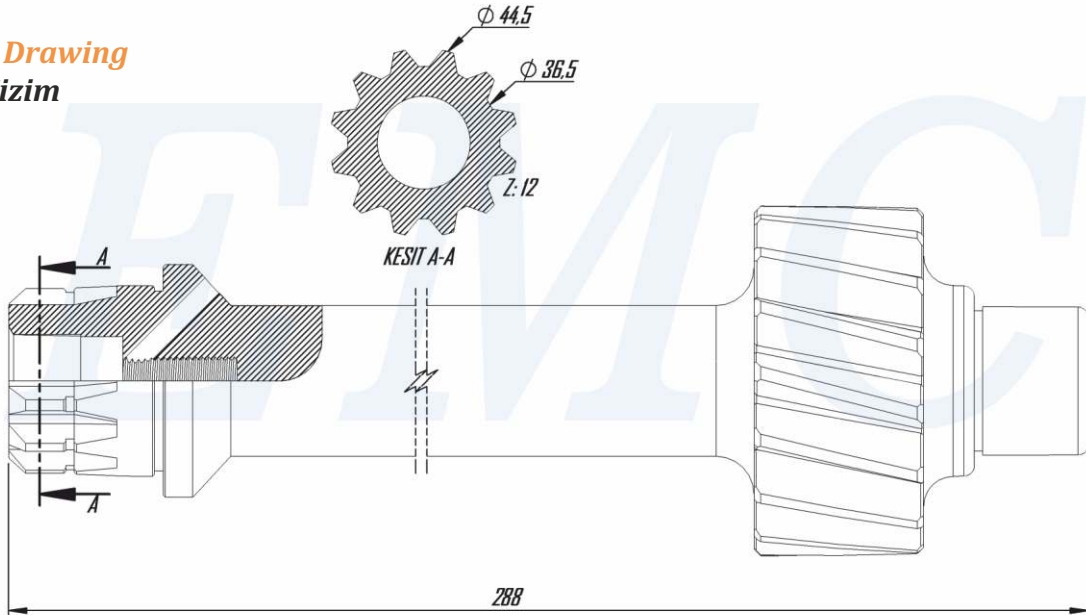


EMCHYDRAULIC

DECODING / KOD AÇILIMI

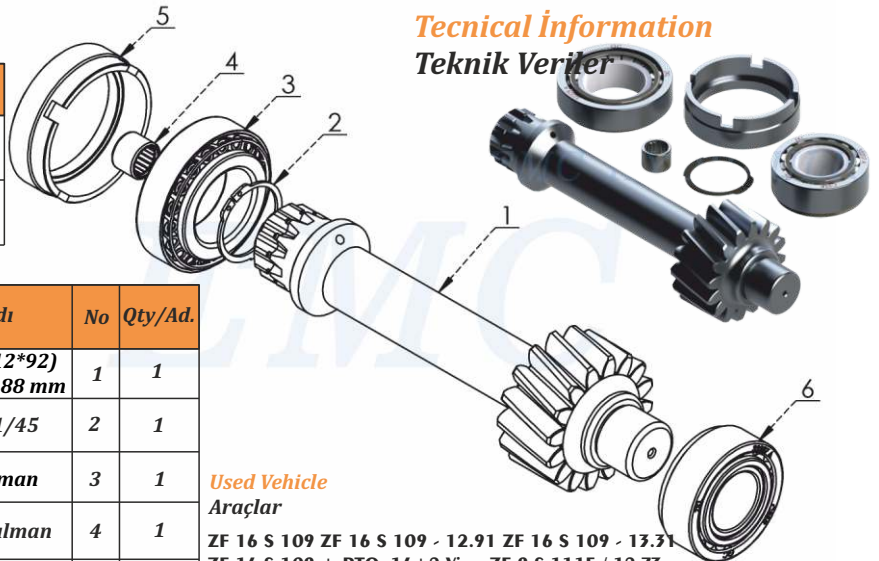
Firm Code Firma Kodu	Cardan Type Pto Modeli	Distance Uzunluk	Model Model
--------------------------------	----------------------------------	----------------------------	-----------------------

Technical Drawing
Teknik Çizim



Tightening Torque
Sıkma Torkları !!!

Diameter / Diş Ölçüsü	M8	M10	M12
Screw and Nuts Torque Somun ve Çivata (Nm)	25	50	80
Studs Torque Saplamalar (Nm)	10	20	30



Technical Information
Teknik Veriler

Code / Kod	Name	Parça Adı	No	Qty/Ad.
EMC.292.288.0	9 S 109 RT (12*92) Cardan Shaft 288 mm	9 S 109 RT (12*92) Kardan Mili 288 mm	1	1
6.71.0.00.045	Circlip 471/45	Sekman 471/45	2	1
8.00.2.013.2009	Bearing 32009	32009 Rulman	3	1
8.00.1.01.616	Bearing Hk 16*16	Hk 16*16 Rulman	4	1
4.22.00.00.053	PTO guiding ring	Aliminyum Canak	5	1
8.00.2.013.3207	Bearing 33207	Rulman 33207	6	1

Used Vehicle
Araçlar

ZF 16 S 109 ZF 16 S 109 - 12.91 ZF 16 S 109 - 13.71
ZF 16 S 109 + PTO, 16+2 Vites ZF 9 S 1115 / 12.73
K 184 GA 002 CARDAN SHAFT ZF 16 S 109 DT
ZF 9 S 109 - 12.91 ZF 9 S 109 - 13.31ZF 9 S 109 DT
ZF 9 S 1110 - 12.73 K 184 GA 002 KARDAN MİL TAKIMI
ZF 9 S 1110 + PTO, 9 + 1 Vites ZF 9 S 1110 TD

NOTE : The rotation of the pump has to be pposite with the rotation of PTO **NOT :** Pompanın yönü ile PTO nun dönüş yönü ters olmalıdır.

www.emchydraulic.com

EMCHYDRAULIC